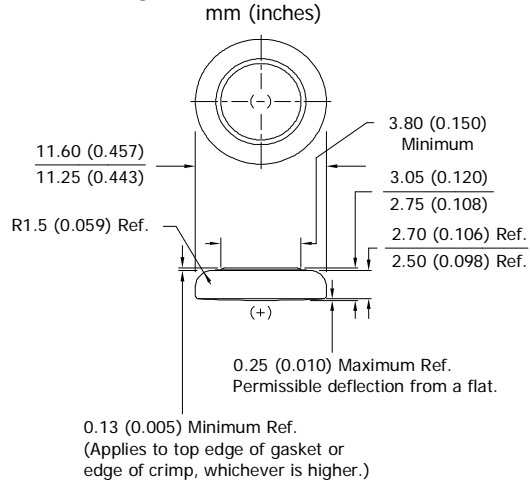


ENERGIZER 189

Miniature Alkaline



Industry Standard Dimensions



Specifications

Chemical System: Manganese Dioxide (MnO₂)

Designation: IEC-LR54

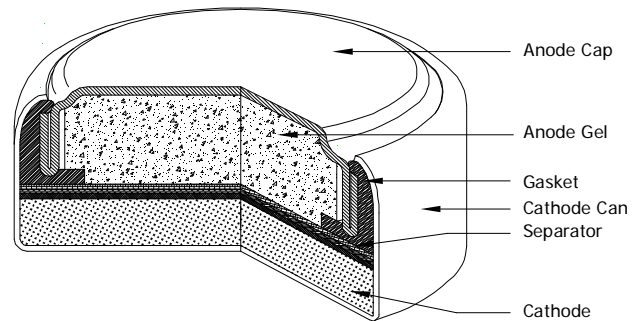
Nominal Voltage: 1.5 Volts

Typical Capacity: 80 mAh (to 0.9 volts)
Rated at 15K ohms / 21°C (70°F)

Typical Weight: 1.1 grams (0.04 ounces)

Typical Volume: 0.30 cubic centimeters (0.02 cubic inch)

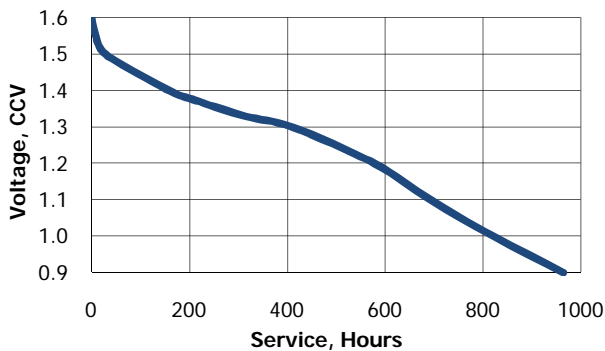
Cross Section



Typical Discharge Characteristics

21°C (70°F)

Load: 15K ohms - Continuous
Typical Drain @ 1.25V: 0.083 mA



Depth of Discharge Test

Percent of rated Capacity at 21°C (70°F)

Typical closed circuit voltage during discharge on a load of 100 ohms for 0.1 to 2.0 seconds

% Rated Capacity	0%	40%	80%
	1.47V	1.17V	1.04V

Bulge Data

This battery will bulge as it is discharged but will not exceed the maximum height shown on the battery drawing.

Schedule:	Typical Drains: at 1.25V (milliamperes)	Load (ohms)	Cutoff 0.9V (hours)
Continuous	0.083	15,000	964

Important Notice

This data sheet contains typical information specific to products manufactured at the time of its publication.
© Energizer Holdings, Inc. - Contents herein do not constitute a warranty.